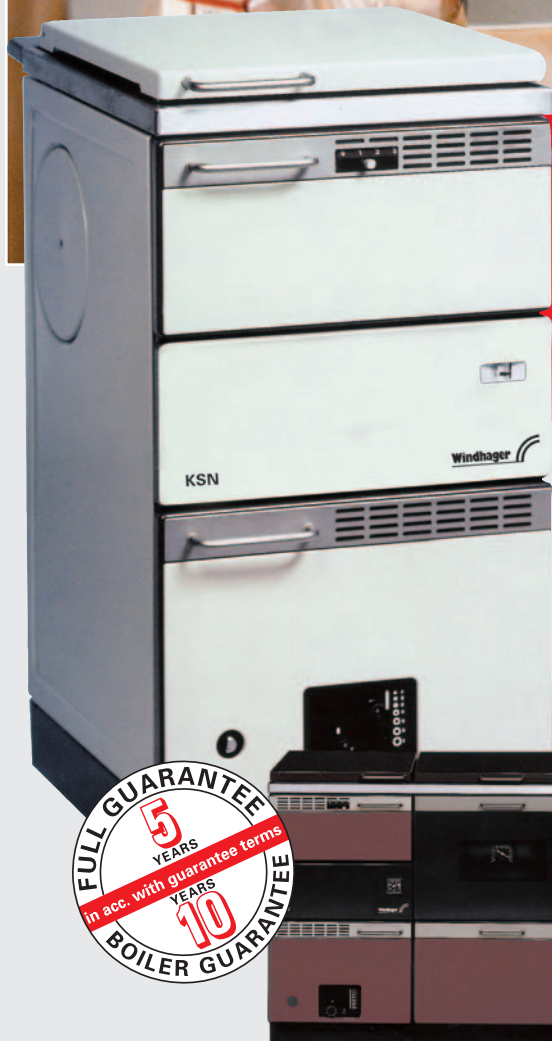


Solid fuel expertise.



KSN, ZHN – Multi-purpose central heating

Floor heating boiler KSN
Central heating cooker ZHN
Performance range 12 to 19 kW

Windhager
Heating in perfection.

The floor all-rounder.

Economical, practical and flexible.

Cook, roast, bake, and heat the entire house at the same time – the ZHN lets you do it all. The KSN is a practical floor heating boiler that keeps your living areas pleasantly warm. These two all-rounders also make ideal secondary boilers. Together with an existing oil, gas, pellet or solar heating system, they provide for particularly efficient heating. Installing a boiler also provides you with hot water in the kitchen and bathroom.



Advantages at a glance:

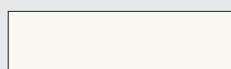
- Superior comfort, easy to use.
- Timeless design that integrates easily into existing kitchen units etc.
- Can be used flexibly for either primary or secondary heating.
- Particularly economical thanks to the integrated height-adjustable grate.
- Can be combined flexibly with both the AquaWIN boiler range and WINDHAGER oil, gas or pellet boilers.
- Optimal security thanks to the full five-year guarantee and ten-year boiler guarantee.

Colour options

A range of five differently coloured kitchen fronts to choose from ensures that the floor heating boiler, central heating cooker and fittings cabinet can all be individually integrated into any kitchen.



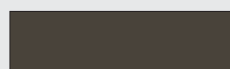
Auburn RAL 8012



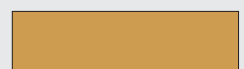
Pearl white RAL 1013



Sahara beige 49/1454



Dark brown RAL 8019



Brown beige RAL 1011

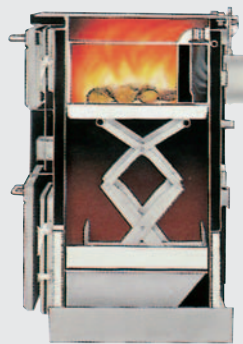
Economical and easy to assemble.

Providing warmth when you need it.

The height-adjustable grate is the ideal output regulator for all seasons:

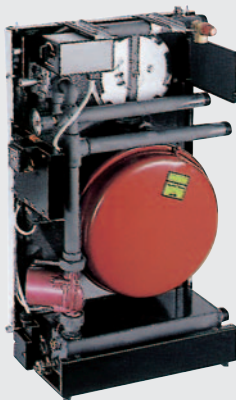


In winter:
Large filling chamber for sustained slow combustion.



In summer:
Economical operation with small filling chamber for cooking and heating water. The height-adjustable grate can be shaken in any position even when the ash door is closed.

Fast and simple to assemble.

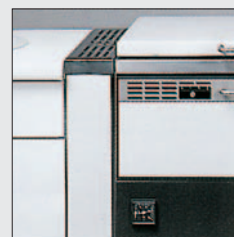


ASN fittings cabinet

Pre-assembled in the ASN:

- Heat pump
- Expansion tank
- 3-way mixing valve
- Safety valve
- Pressure gauge, thermometer
- Feed and evacuation cock
- Electric heating as accessory

Partition



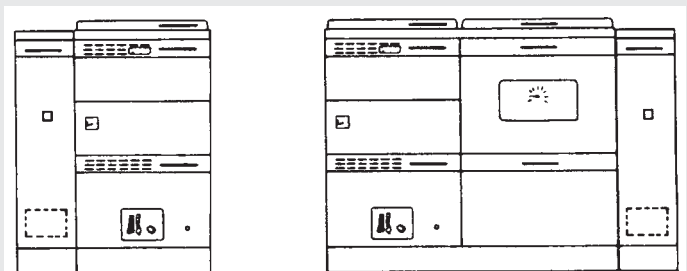
Wooden structures may not be positioned directly next to the KSN/ZHN. Either use the partition (10 cm) or follow the local building regulations. (Partition in pearl white / dark brown)

ASN as a fittings cabinet

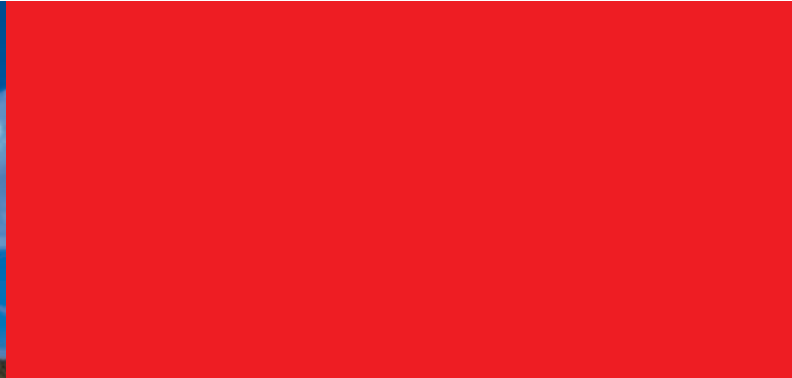
- All heating fittings are pre-assembled in the ASN, in order to reduce costs and assembly time. The design and dimensions of the panel match the KSN/ZHN.
- A width of only 20 cm guarantees space-saving installation.

Put together your own individual heating solution

The ASN can be assembled either to the left or right of the KSN/ZHN. The necessary connecting pipes are available.



Safety notice
The floor at the installation location must be fireproof. Overhead cupboards or extractor hoods may not be located directly above the KSN/ZHN.



Convincing intrinsic values.

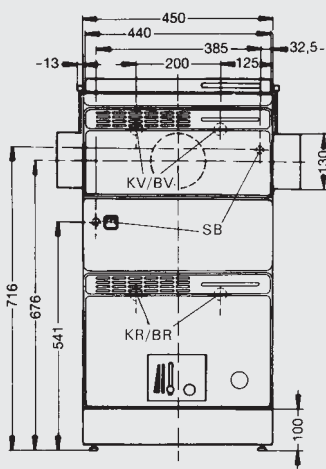
Type-tested to ÖNORM M 7510, M 7550, DIN 18882, DIN 4702 and EMPA, **CE**. Meets the values of the "§15a Vereinbarung" (energy saving agreement). In Switzerland and in Germany (except KSN210) also licensed for wood.

Technical data

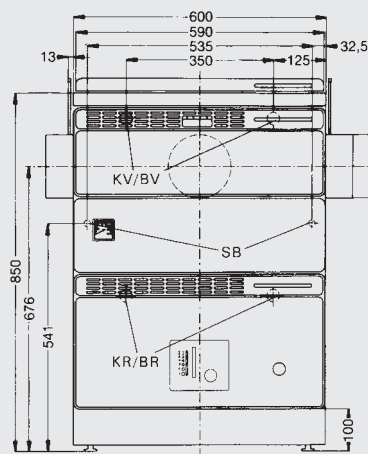
Type		KSN 150	KSN 210	ZHN 180/182*
Fuel		Coke	Coke	Coke
Nominal thermal output A, CH / D	kW	15 / 12	19 / 18	18 / 15
Total thermal output A, CH / D	kW	16,3 / 14,3	20,8 / 20,6	19,8 / 18,8
Radiation capacity				
open insulating cover	kW	2,0	2,3	3,6
closed insulating cover	kW	1,3	1,8	1,8
Thermal output with grate up	kW	6,0	7,0	6,0
Recommended flue draught	mbar	0,15	0,20	0,20
Net/gross weight	kg	167/182	202/220	273/293
Fuel/filling chamber	dm ³	42	52	43
Size of heating door W x H	mm	245 x 160	300 x 160	245 x 160
Oven dimensions W x H x D	mm	–	–	400 x 280 x 410
Fuel loading chamber	dm ³	–	–	38
Boiler water volume	litre	15	19	14
Operating pressure max.	bar	2,5	2,5	2,5
Flue Ø	mm	130	150	150
Flue connection		Removable connection left, right, back	Removable connection left, right, back	ZHN 180: left (side, back) ZHN 182: right (side, back)
Heating and water heater connections		5/4" int. thr. for screw connections	5/4" int. thr. for screw connections	5/4" int. thr. for screw connections
Safety battery		Installed in acc. w. ÖNORM B 8131 1/2" external screw thread	Installed in acc. w. ÖNORM B 8131 1/2" external screw thread	Installed in acc. w. ÖNORM B 8131 1/2" external screw thread
Ventilation		3/8" internal screw thread – attach with bracket	3/8" internal screw thread – attach with bracket	3/8" internal screw thread – attach with bracket
Grate design		Height-adjustable grate can be rattled in every position	Height-adjustable grate can be rattled in every position	Height-adjustable grate can be rattled in every position
Hot plate		417 x 506 mm with hot plate cover 223 mm Ø	566 x 506 mm with hot plate cover 223 mm Ø	965 x 506 mm with hot plate cover 223 mm Ø
Recommended fuel		Coke II or Coke II and III 1 : 2 mixed	Coke II or Coke II and III 1 : 1 mixed	Coke II or Coke II and III 1 : 1 mixed
Necessary chimney conditions (height, diameter, material)		Ask your chimney sweeper!		

*) ZHN 180: Oven left, flue connection left (side, back) ZHN 182: Oven right, flue connection right (side, back)

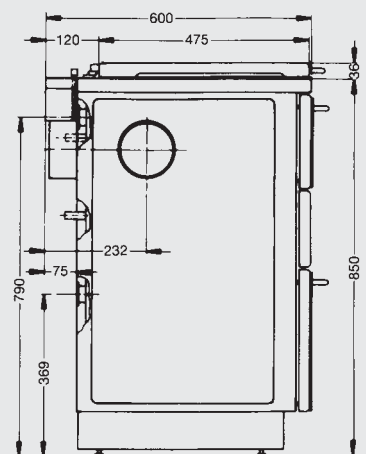
Dimensioned sketches:



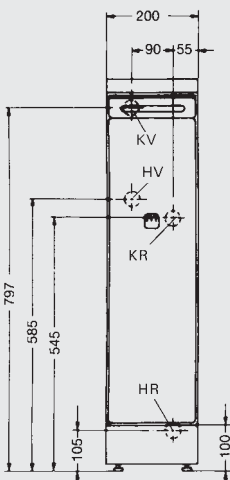
Front view of KSN 150



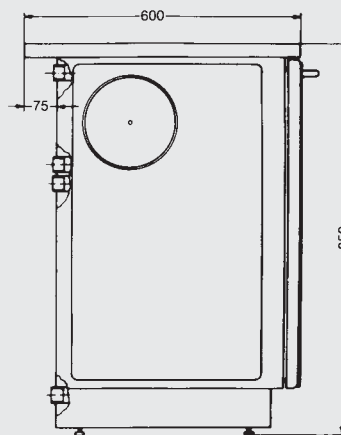
Front view of KSN 210



Side view of KSN 150 and 210



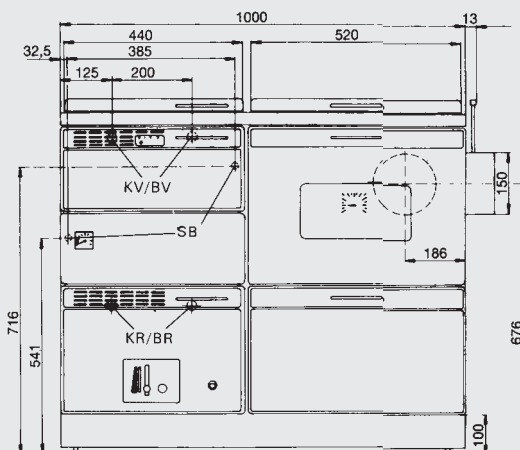
Front view of ASN



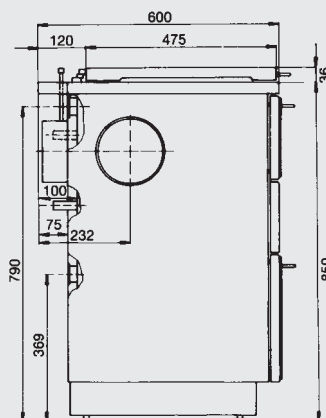
Side view of ASN



Front view of partition



Front view of ZHN 182



Side view of ZHN 180

Heating and water heater connections

- KV ... Boiler flow
- BV ... Water heater flow
- HV ... Heating flow
- KR ... Boiler return
- BR ... Water heater return
- HR ... Heating return
- SB ... Safety battery connection

All measurements in mm.

www.windhager.com

Windhager provides more than first-class products:

Quality consulting from our expert partners

You can obtain WINDHAGER ZENTRALHEIZUNG products from our expert PARTNERS. These are experienced heating specialists who work in close professional cooperation with WINDHAGER ZENTRALHEIZUNG to achieve best results for the customer.

Professional customer service network

Perfect customer service is one of the mainstays of WINDHAGER's success. Our professional customer service network guarantees the best customer care every day. Our customer service technicians are experienced non-bureaucratic professionals who work quickly and reliably.



Unique guarantees

Our full five-year guarantee provides you with optimal security. Because our unique full guarantee doesn't just cover material (excluding wear parts), it also includes the travel and labour costs of the customer service technician. Not only that, but we also guarantee to supply your device with spare parts for 15 years from the date of purchase.



Your expert partner:

Austria:

Windhager Zentralheizung GmbH
A-5201 Seekirchen near Salzburg
Anton-Windhager-Straße 20
Tel. +43 (0) 62 12/23 41-0
Fax +43 (0) 62 12/42 28

Windhager Zentralheizung GmbH
A-1230 Vienna
Carlberggasse 39
Tel. +43 (0) 1/869 43 28
Fax +43 (0) 1/865 13 81

e-mail info@at.windhager.com

Germany:

Windhager Zentralheizung GmbH
D-86405 Meitingen near Augsburg
Deutzring 2
Tel. +49 (0) 82 71/80 56-0
Fax +49 (0) 82 71/80 56-30

Windhager Zentralheizung GmbH
D-04509 Delitzsch near Leipzig
Heinrich-Rudolf-Hertz-Straße 2
Tel. +49 (0) 3 42 02/723-0
Fax +49 (0) 3 42 02/723-30

e-mail info@de.windhager.com

Switzerland:

Windhager Zentralheizung Schweiz AG
CH-6203 Sempach-Station near Luzern
Industriestrasse 13
Tel. +41 (0) 41/469 469-0
Fax +41 (0) 41/469 469-9

e-mail info@ch.windhager.com